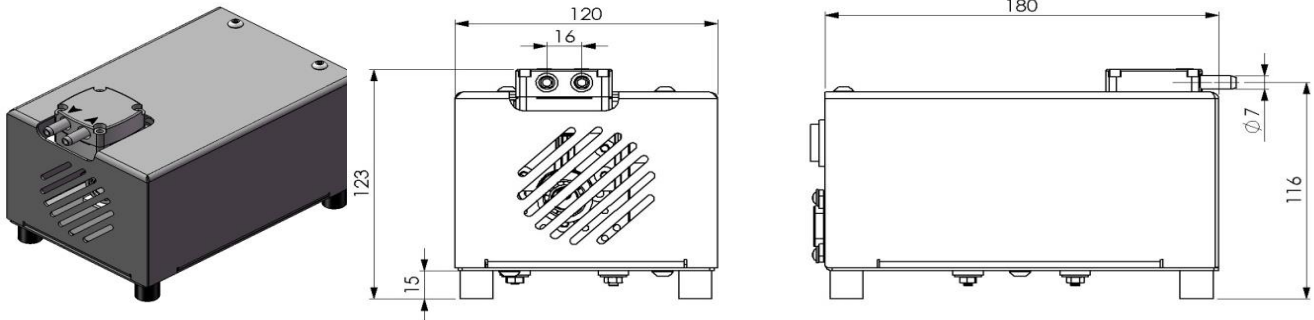


DIAPHRAGM PUMPS

EMMEBOX M41S AC04



Part number	=300340	=300342
--------------------	---------	---------

Pneumatic Data

Nominal capacity [l/min]	8	9,5
Max pressure [bar]		2
Max vacuum [mbar ass]		200

Electrical Data

Voltage [V]	230 [50 Hz]	110 [60 Hz]
Rated power [W]	60	60
Protection class		IP30

Wetted parts

Body pump	Ryton
Gasket	Viton, EPDM [I]
Diaphragm	Viton, EPDM [I], PTFE [P]

General Data

Weight [kg]	1,31
Ambient temperature [°C]	10-50 °C
Material of the case	AISI 304

Optional

- Head with threaded 1/8" [B]
- Aluminum rod [Z]

Flow Curves

The informations in this datasheet are based on technical data and test results. It is the responsibility of the user to determinate the suitability of the product for intended use.

